

## TWT-RC□□-INV(7)

### SPECIFICATIONS

- 3-Phase,3-Wire method
- High performance under small leakage current
- Efficient performance under motor noise
- High filterings by double filters
- Excellent Filtering for Normal Mode and Common Mode Noise



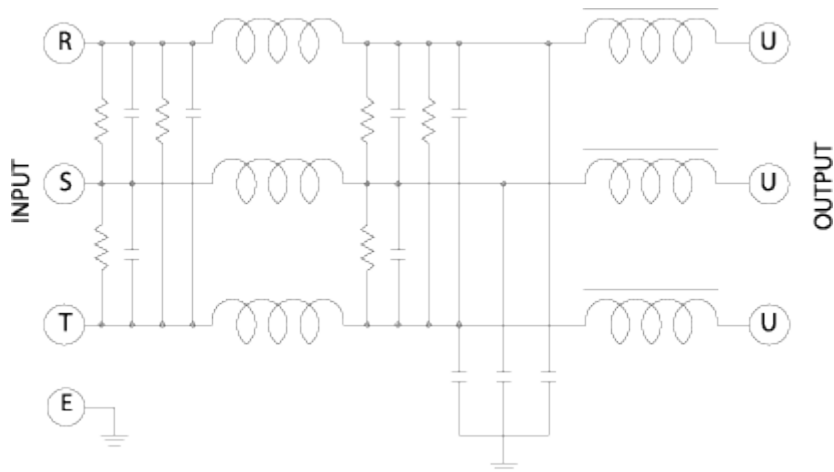
### APPLICATIONS

- For INVERTER

### SPECIFICATIONS

MODEL (250VAC)	TWT-RC660-NF	TWT-RC750-NF	TWT-RC880-NF	TWT-RC1000-NF
MODEL (450VAC)	TWT-RC660-450	TWT-RC750-450	TWT-RC880-450	TWT-RC1000-450
RATED CURRENT	660A	750A	880A	1000A
RATED VOLTAGE	250 VAC / 450 VAC			
TEST VOLTAGE	1,500V 10mA between I/O terminals and Earth for 1 minute			
INSULATION VOLTAGE	500VDC 300Mohm between I/O terminals and Earth			
LEAKAGE CURRENT	2 mA Max			
TEMPERATURE RISE	40°C Max			
OPERATING TEMPERATURE	-25 ~ +85°C			

### Block Diagram



■ Dimensions (Units:mm)

