

TWT-RC□□-INV(3)

SPECIFICATIONS

- 3-Phase,3-Wire method
- High performance under small leakage current
- Efficient performance under motor noise
- High filterings by double filters
- Excellent Filtering for Normal Mode and Common Mode Noise



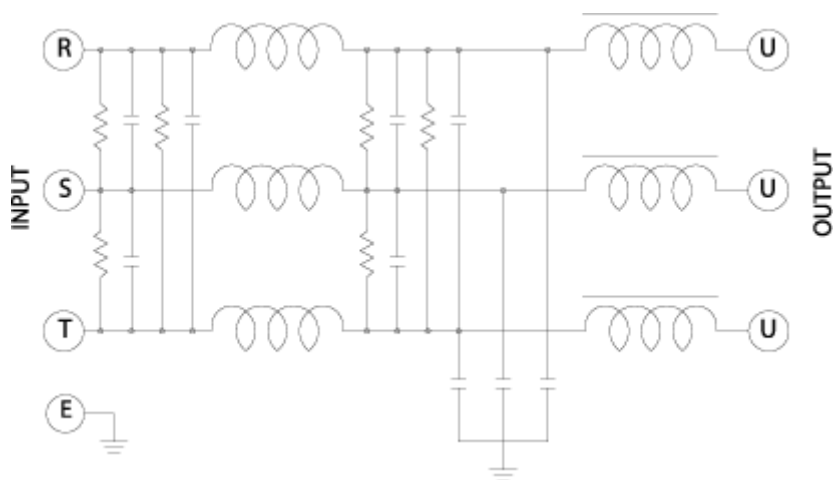
APPLICATIONS

- For INVERTER

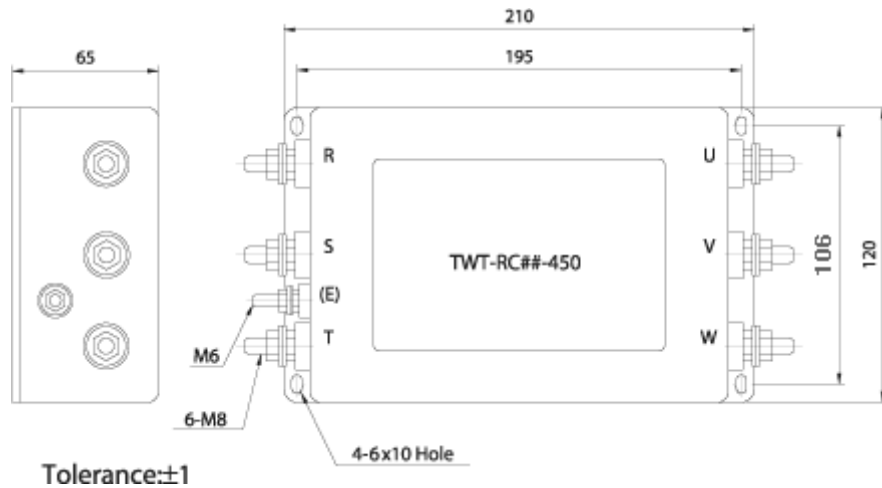
SPECIFICATIONS

MODEL (250VAC)	TWT - RC60-NF	TWT - RC80-NF
MODEL (450VAC)	TWT - RC60-450	TWT - RC80-450
RATED CURRENT	60A	80A
RATED VOLTAGE	250 VAC / 450 VAC	
TEST VOLTAGE	1,500V 10mA between I/O terminals and Earth for 1 minute	
INSULATION VOLTAGE	500VDC 300Mohm between I/O terminals and Earth	
LEAKAGE CURRENT	2 mA Max	
TEMPERATURE RISE	40°C Max	
OPERATING TEMPERATURE	-25 ~ +85°C	

Block Diagram



Dimensions (Units:mm)



Tolerance±1