

## TWT-RC□□-INV(2)

### SPECIFICATIONS

- 3-Phase,3-Wire method
- High performance under small leakage current
- Efficient performance under motor noise
- High filterings by double filters
- Excellent Filtering for Normal Mode and Common Mode Noise



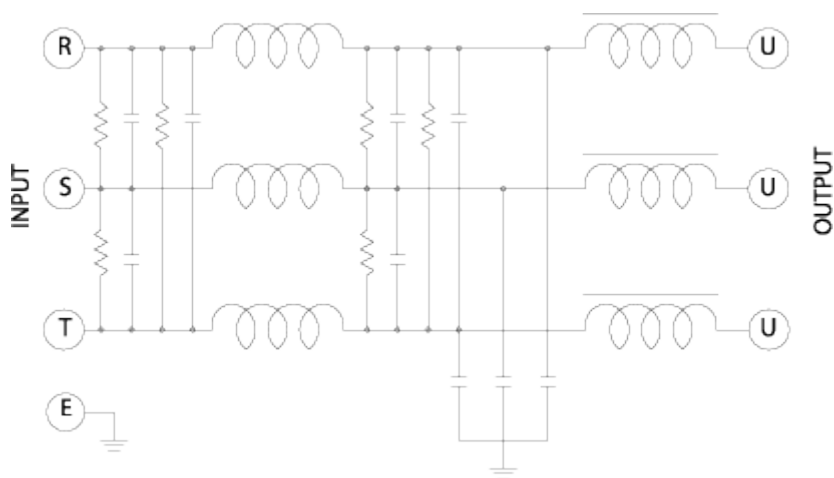
### APPLICATIONS

- For INVERTER

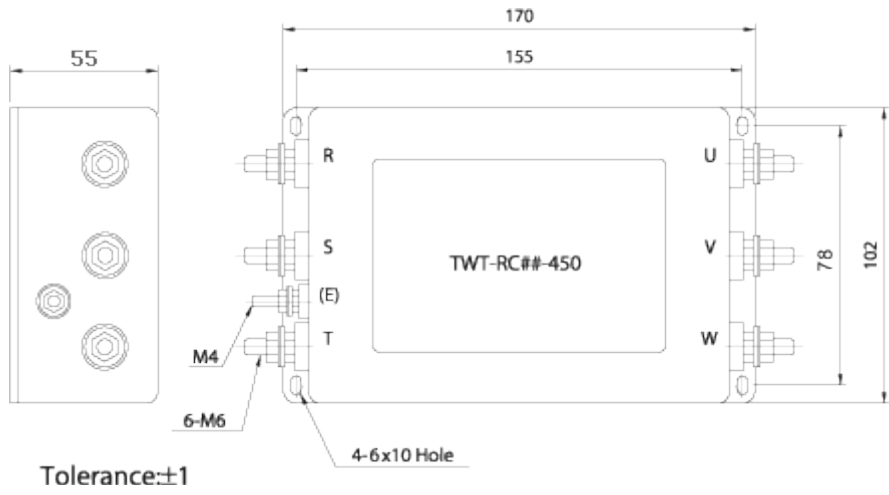
### SPECIFICATIONS

MODEL (250VAC)	TWT - RC20-NF	TWT - RC30-NF	TWT - RC40-NF
MODEL (450VAC)	TWT - RC20-450	TWT - RC30-450	TWT - RC40-450
RATED CURRENT	20A	30A	40A
RATED VOLTAGE	250 VAC / 450 VAC		
TEST VOLTAGE	1,500V 10mA between I/O terminals and Earth for 1 minute		
INSULATION VOLTAGE	500VDC 300Mohm between I/O terminals and Earth		
LEAKAGE CURRENT	2 mA Max		
TEMPERATURE RISE	40°C Max		
OPERATING TEMPERATURE	-25 ~ +85°C		

### Block Diagram



### Dimensions (Units:mm)



Tolerance  $\pm 1$