

TWT-RC□□-INV(4)

■ SPECIFICATIONS

- 3-Phase,3-Wire method
- High performance under small leakage current
- Efficient performance under motor noise
- High filterings by double filters
- Excellent Filtering for Normal Mode and Common Mode Noise



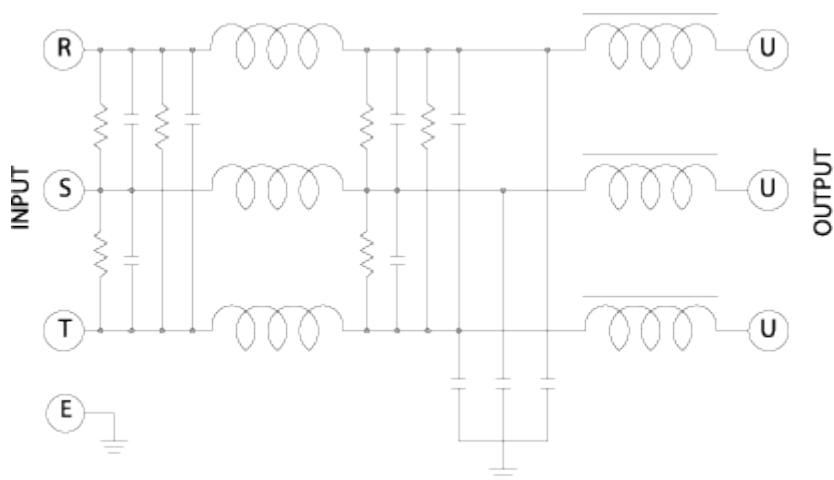
■ APPLICATIONS

- For INVERTER

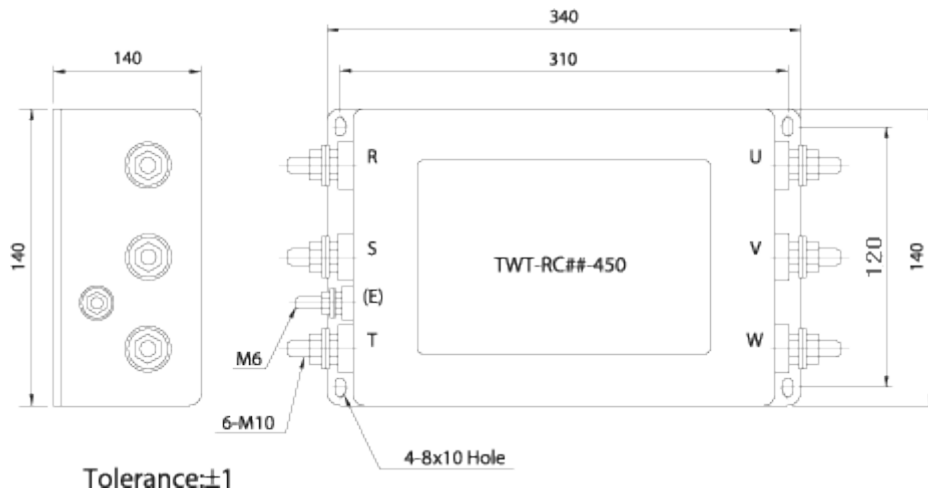
■ SPECIFICATIONS

MODEL (250VAC)	TWT- RC100-NF	TWT- RC120-NF	TWT- RC150-NF
MODEL (450VAC)	TWT- RC100-450	TWT- RC120-450	TWT- RC150-450
RATED CURRENT	100A	120A	150A
RATED VOLTAGE	250 VAC / 450 VAC		
TEST VOLTAGE	1,500V 10mA between I/O terminals and Earth for 1 minute		
INSULATION VOLTAGE	500VDC 300Mohm between I/O terminals and Earth		
LEAKAGE CURRENT	2 mA Max		
TEMPERATURE RISE	40°C Max		
OPERATING TEMPERATURE	-25 ~ +85°C		

■ Block Diagram



■ Dimensions (Units:mm)



Tolerance±1