
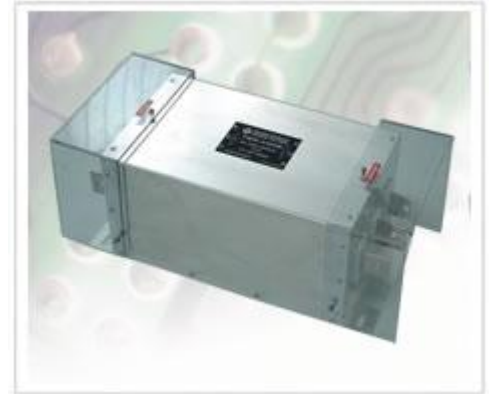


TWS-2/4□□□B(5)

■ SPECIFICATIONS

- 3-Phase,3-Wire method
- High performance under small leakage current
- Efficient performance under motor noise
- High filterings by double filters
- Excellent Filtering for Normal Mode and Common Mode Noise
- Bus bars for convenient
- Protection plastic covers optionally available for unsurpassed safety
-  Approved



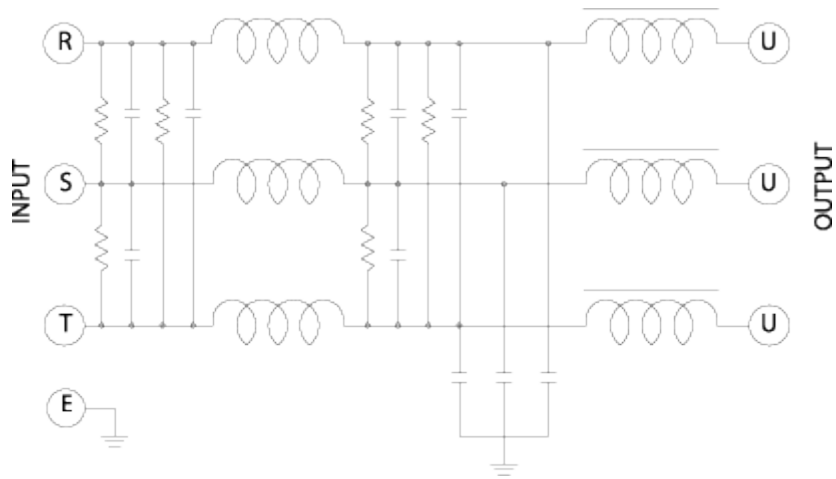
■ APPLICATIONS

- General purpose, Inverter.
- FA and OA Equipments
- Personal Computer and peripherals.
- Digital and Measuring Equipments
- Communication Equipments

■ SPECIFICATIONS

| MODEL (250VAC) | TWS - 2380B | TWS - 2450B |
|-----------------------|---|-------------|
| MODEL (450VAC) | TWS - 4380B | TWS - 4450B |
| RATED CURRENT | 380A | 450A |
| RATED VOLTAGE | 250VAC / 450 VAC | |
| TEST VOLTAGE | 2,000V 10mA between I/O terminals - case for 1 minute | |
| INSULATION RESISTANCE | 500VDC 300Mohm between I/O terminals - case | |
| LEAKAGE CURRENT | 1 mA Max | |
| TEMPERATURE RISE | 40°C Max | |
| OPERATING TEMPERATURE | -25 ~ +85°C | |

■ Block Diagram



■ Dimensions (Units:mm)

