


## TWS-2/4□□□B(1)

### ■ SPECIFICATIONS

- 3-Phase,3-Wire method
- High performance under small leakage current
- Efficient performance under motor noise
- High filterings by double filters
- Excellent Filtering for Normal Mode and Common Mode Noise
- Easy installation and easy maintenance
- Protection plastic covers optionally available for unsurpassed safety
-  Approved



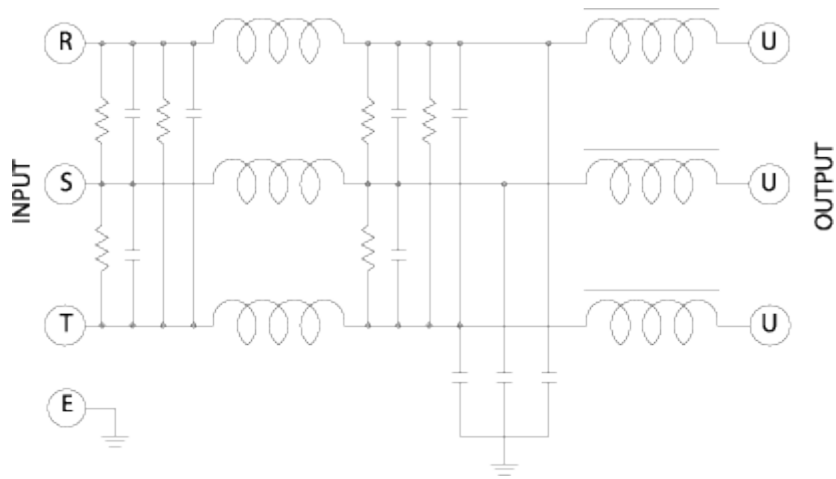
### ■ APPLICATIONS

- General purpose, Inverter.
- FA and OA Equipments
- Personal Computer and peripherals.
- Digital and Measuring Equipments
- Communication Equipments

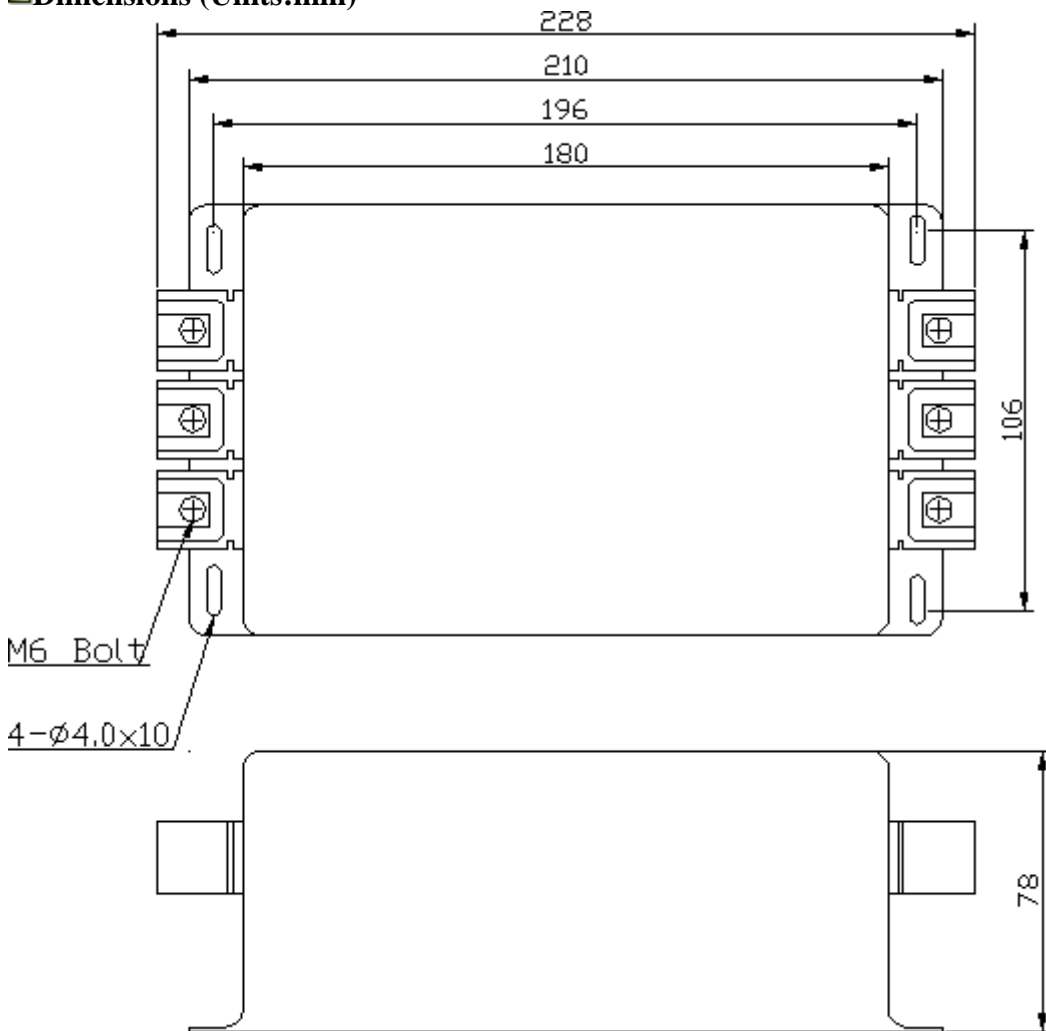
### ■ SPECIFICATIONS

MODEL (250VAC)	TWS-2020B	TWS-2030B	TWS-2040B	TWS-2050B	TWS-2060B	TWS-2080B
MODEL (450VAC)	TWS-4020B	TWS-4030B	TWS-4040B	TWS-4050B	TWS-4060B	TWS-4080B
RATED CURRENT	20A	30A	40A	50A	60A	80A
RATED VOLTAGE	250VAC / 450 VAC					
TEST VOLTAGE	2,000V 10mA between I/O terminals - case for 1 minute					
INSULATION RESISTANCE	500VDC 300Mohm between I/O terminals - case					
LEAKAGE CURRENT	1 mA Max					
TEMPERATURE RISE	40°C Max					
OPERATING TEMPERATURE	-25 ~ +85°C					

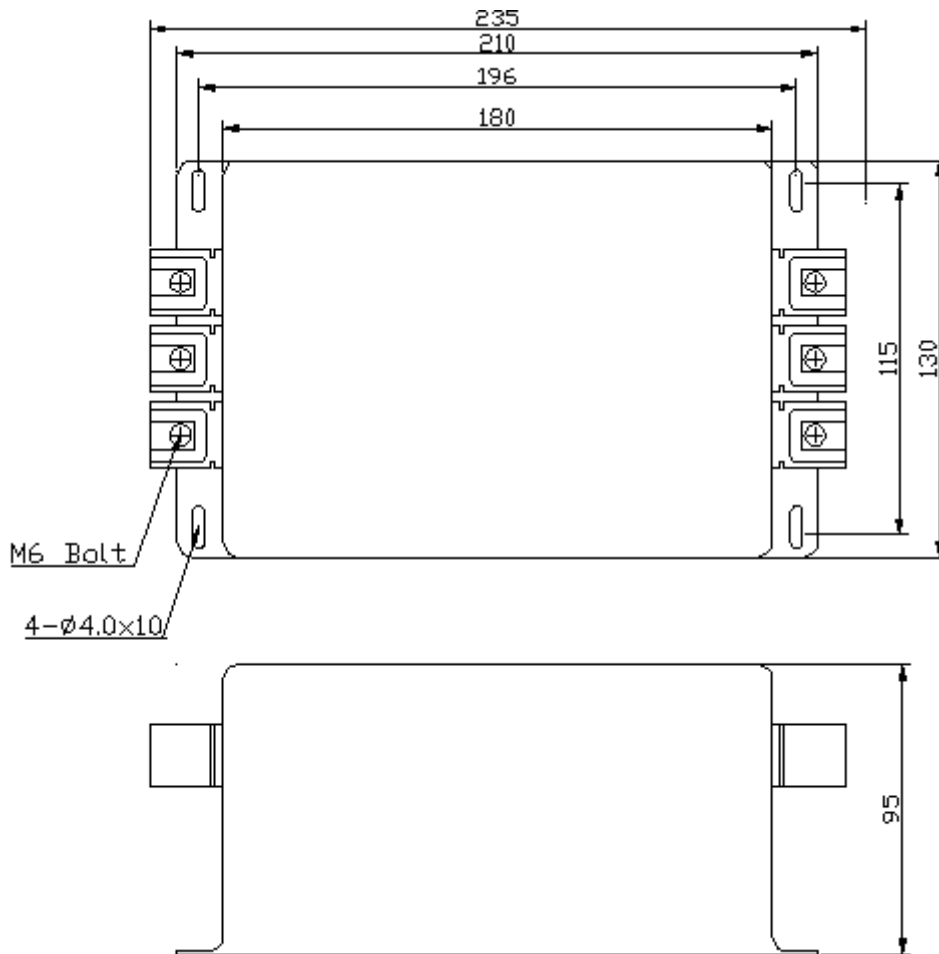
### ■ Block Diagram



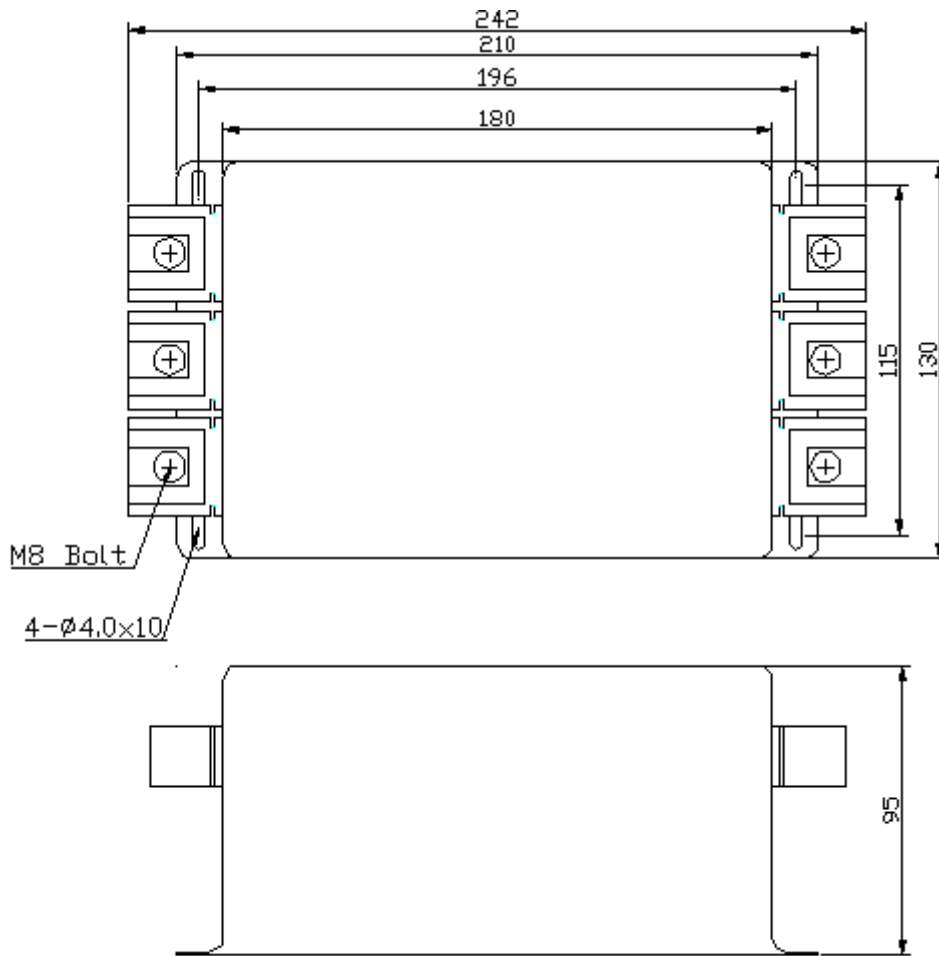
■ Dimensions (Units:mm)



\* FOR TWS-2020B, 2030B, 2040B, 4020B, 4030B, 4040B



\* FOR TWS-2050B, 2060B, 4050B, 4060B



\* FOR TWS-2080B, 4080B