


## 

### ■ SPECIFICATIONS

- 3-Phase,3-Wire method
- High performance under small leakage current
- Efficient performance under motor noise
- High filterings by double filters
- Excellent Filtering for Normal Mode and Common Mode Noise
- Bus bars for convenient
- Protection plastic covers optionally available for unsurpassed safety
-  Approved



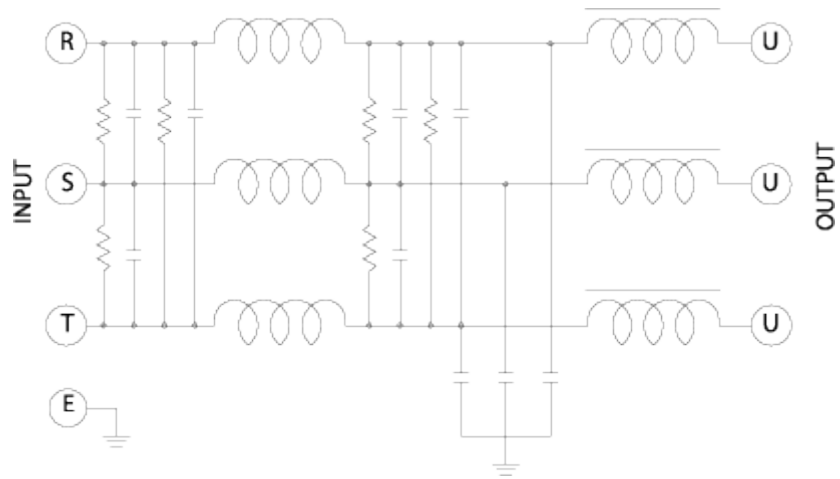
### ■ APPLICATIONS

- General purpose, Inverter.
- FA and OA Equipments
- Personal Computer and peripherals.
- Digital and Measuring Equipments
- Communication Equipments

### ■ SPECIFICATIONS

MODEL (250VAC)	TWS - 2200B	TWS - 2250B	TWS - 2300B
MODEL (450VAC)	TWS - 4200B	TWS - 4250B	TWS - 4300B
RATED CURRENT	200A	250A	300A
RATED VOLTAGE	250VAC / 450 VAC		
TEST VOLTAGE	2,000V 10mA between I/O terminals - case for 1 minute		
INSULATION RESISTANCE	500VDC 300Mohm between I/O terminals - case		
LEAKAGE CURRENT	1 mA Max		
TEMPERATURE RISE	40°C Max		
OPERATING TEMPERATURE	-25 ~ +85°C		

### ■ Block Diagram



■ Dimensions (Units:mm)

