

## TWT-RC□□-INV(1)

### ■ SPECIFICATIONS

- 3-Phase,3-Wire method
- High performance under small leakage current
- Efficient performance under motor noise
- High filterings by double filters
- Excellent Filtering for Normal Mode and Common Mode Noise



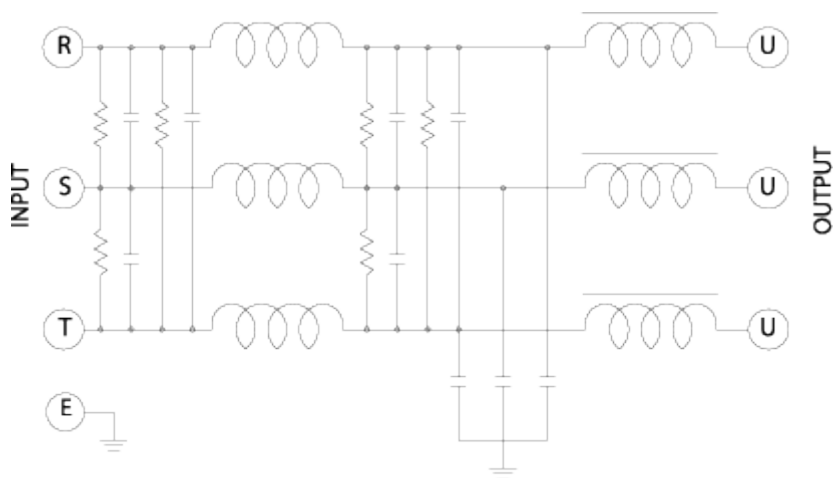
### ■ APPLICATIONS

- For INVERTER

### ■ SPECIFICATIONS

MODEL (250VAC)	TWT - RC10-NF
MODEL (450VAC)	TWT - RC10-450
RATED CURRENT	10A
RATED VOLTAGE	250 VAC / 450 VAC
TEST VOLTAGE	1,500V 10mA between I/O terminals and Earth for 1 minute
INSULATION VOLTAGE	500VDC 300Mohm between I/O terminals and Earth
LEAKAGE CURRENT	2 mA Max
TEMPERATURE RISE	40°C Max
OPERATING TEMPERATURE	-25 ~ +85°C

### ■ Block Diagram



### ■ Dimensions (Units:mm)

