


TWS-2/4□□□B(3)

■ SPECIFICATIONS

- 3-Phase,3-Wire method
- High performance under small leakage current
- Efficient performance under motor noise
- High filterings by double filters
- Excellent Filtering for Normal Mode and Common Mode Noise
- Easy installation and easy maintenance
- Protection plastic covers optionally available for unsurpassed safety
-  Approved



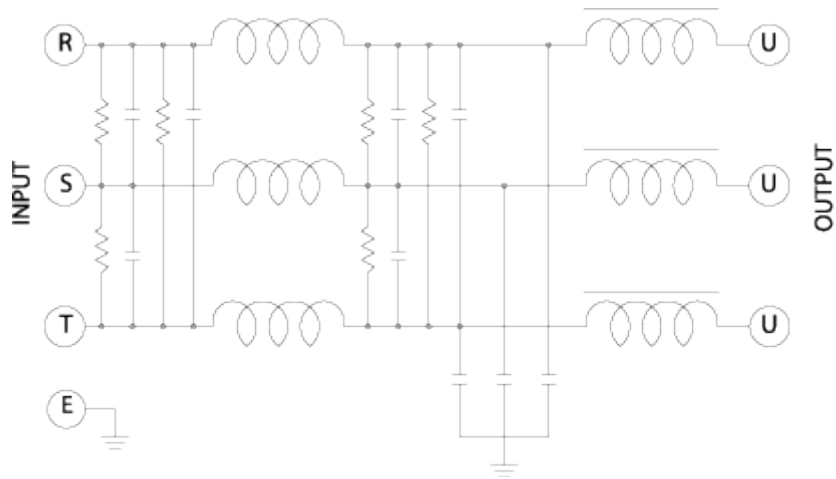
■ APPLICATIONS

- General purpose, Inverter.
- FA and OA Equipments
- Personal Computer and peripherals.
- Digital and Measuring Equipments
- Communication Equipments

■ SPECIFICATIONS

MODEL (250VAC)	TWS - 2100B	TWS - 2120B	TWS - 2150B
MODEL (450VAC)	TWS - 4100B	TWS - 4120B	TWS - 4150B
RATED CURRENT	100A	120A	150A
RATED VOLTAGE	250 VAC / 450 VAC		
TEST VOLTAGE	2,000V 10mA between I/O terminals - case for 1 minute		
INSULATION RESISTANCE	500VDC 300Mohm between I/O terminals - case		
LEAKAGE CURRENT	1 mA Max		
TEMPERATURE RISE	40°C Max		
OPERATING TEMPERATURE	-25 ~ +85°C		

■ Block Diagram



■ Dimensions (Units:mm)

