

TWT-RC□□-NF(7)

■ SPECIFICATIONS

- 3-Phase,3-Wire method
- High performance under small leakage current
- Efficient performance under motor noise
- High filterings by double filters
- Excellent Filtering for Normal Mode and Common Mode Noise



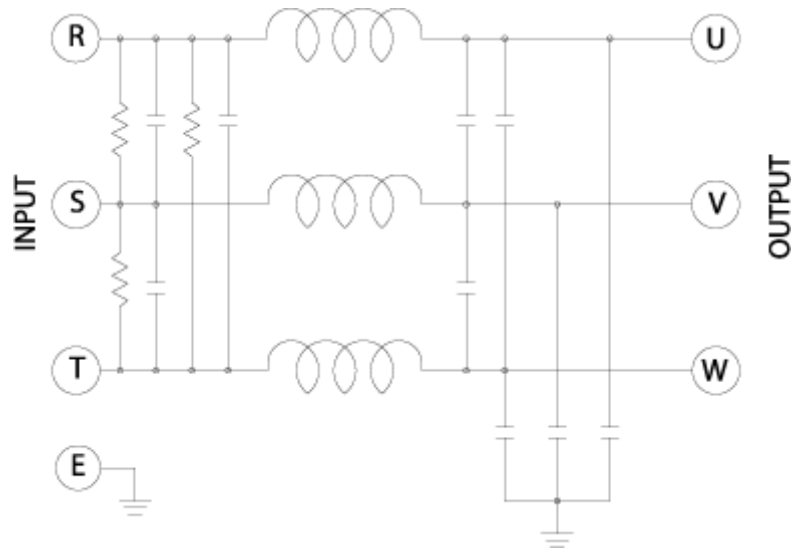
■ APPLICATIONS

- Industrial and Medical Equipments.
- FA and OA Equipments
- Personal Computer and peripherals.
- Digital and Measuring Equipments
- Communication Equipments

■ SPECIFICATIONS

MODEL	TWT - RC450 - NF
RATED CURRENT	450 A
RATED VOLTAGE	250 VAC
TEST VOLTAGE	1,500V 10mA between I/O terminals and Earth for 1 minute
INSULATION VOLTAGE	500VDC 300Mohm between I/O terminals and Earth
LEAKAGE CURRENT	1 mA Max
TEMPERATURE RISE	40°C Max
OPERATING TEMPERATURE	-25 ~ +85°C

■ Block Diagram



■ Dimensions (Units:mm)

