

WT-RC□□-CT

SPECIFICATIONS

- Suitable for FCC,FIZ
- Excellent Filtering
- Confidency by Epoxy Coverage

APPLICATIONS

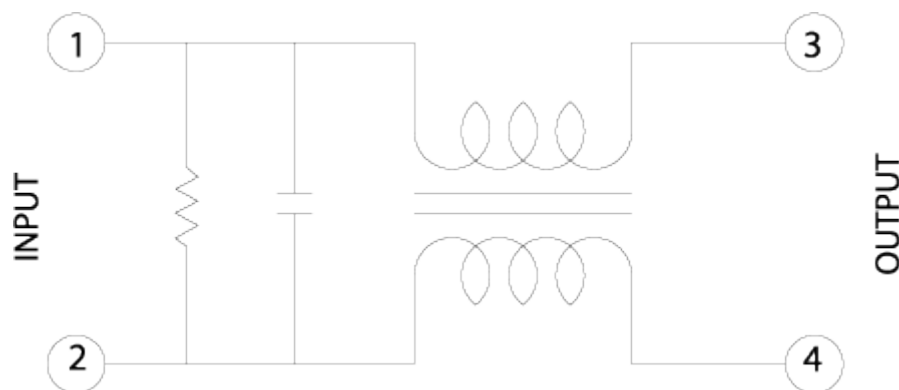
- Digital Equipments
- Powerful UPS.
- Measuring and Medical Equipments
- Personal Computer and peripherals
- Industrial Equipments



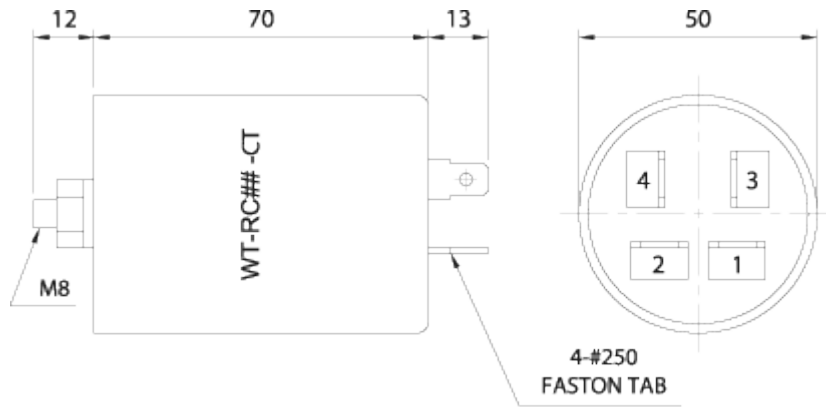
SPECIFICATIONS

MODEL	WT-RC05-CT	WT-RC10-CT	WT-RC15-CT	WT-RC20-CT
RATED CURRENT	5A	10A	15A	20A
RATED VOLTAGE	250 VAC			
TEST VOLTAGE	2,500V 10mA between I/O terminals and Earth for 1 minute			
INSULATION VOLTAGE	500VDC 300Mohm between I/O terminals and case			
LEAKAGE CURRENT	0.5mA Max			
TEMPERATURE RISE	40°C Max			
OPERATING TEMPERATURE	-20 ~ +85°C			

Block Diagram



Dimensions (Units:mm)



Tolerance:±1